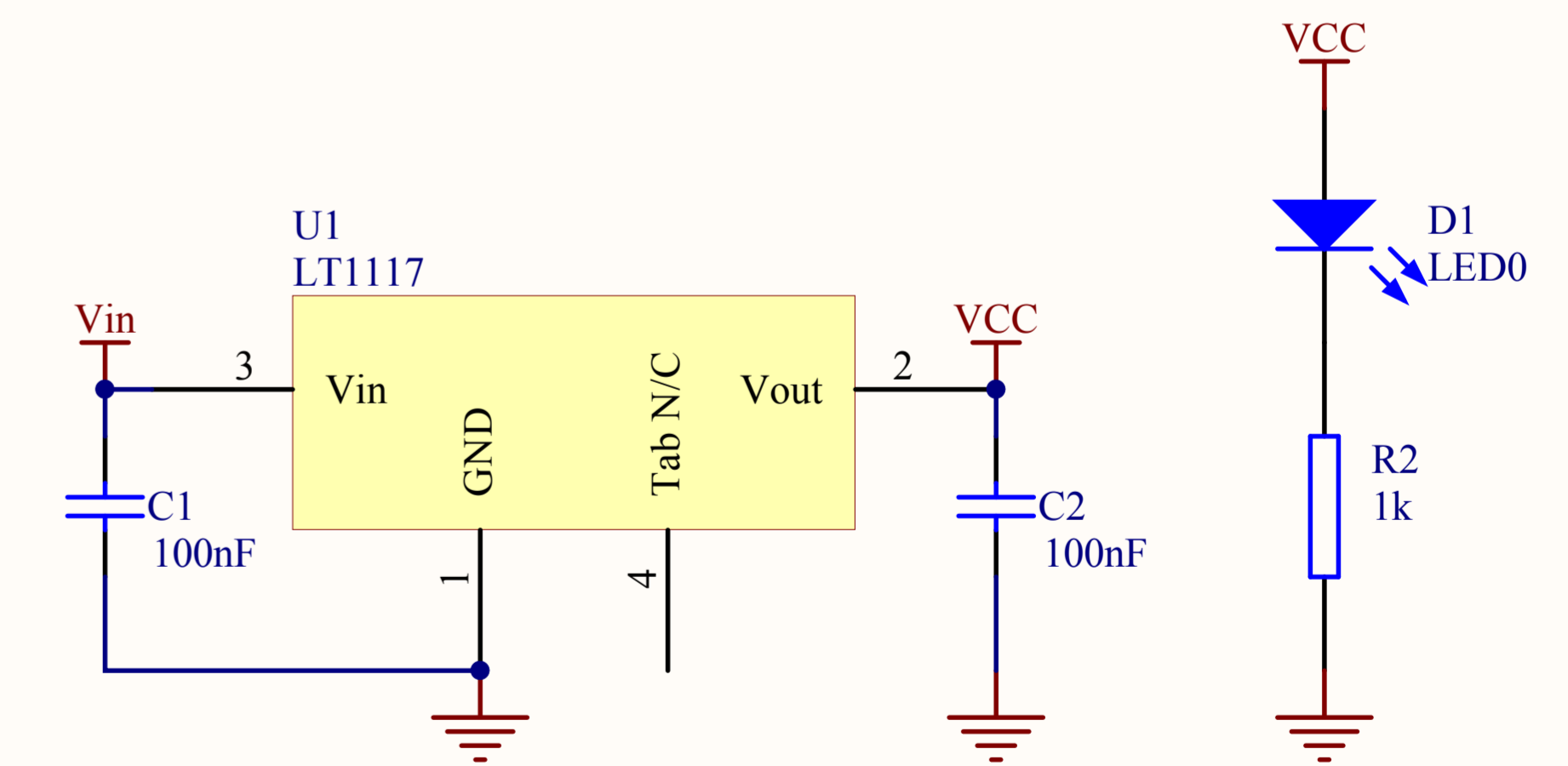
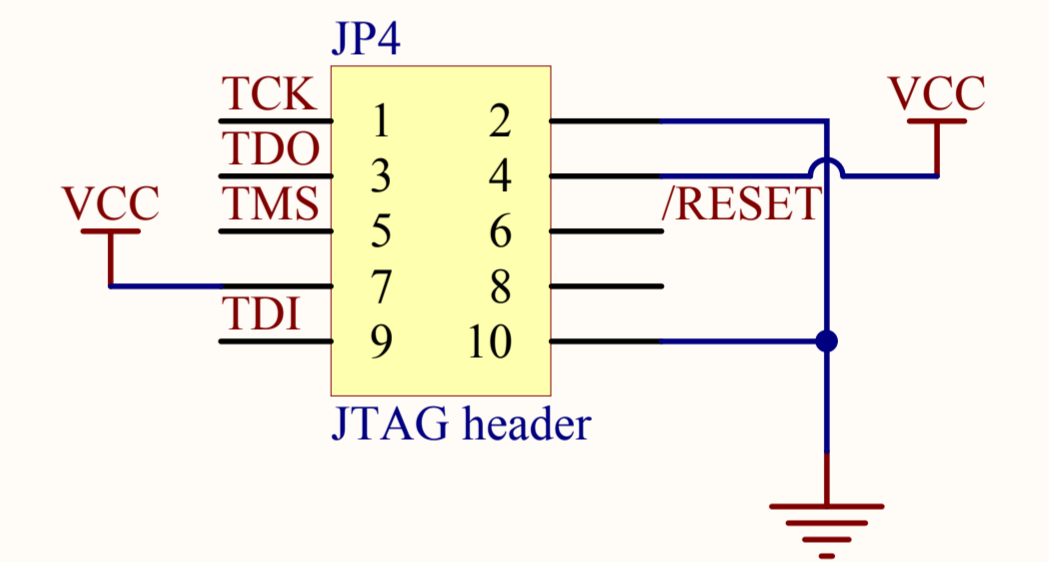


Errata

 JP4-4 must be connected to JP4-7 on the PCB for the JTAG interface to function.



| | | |
|----------------------------|-----------------------------|-----------|
| Title | | |
| Mega128 Breakout/Dev Board | | |
| Size | Number | Revision |
| A4 | www.bfrdesign.com | Rev A |
| Date: | 10/21/2006 | Sheet of |
| File: | D:\Projects\...rev_a.SchDoc | Drawn By: |